



FC100 Series Intelligent Central Air-conditioning Room Thermostat

1. General

The FC100 is an air-conditioning Room Thermostat, with multi-function control to detect and maintain the desired room temperature. The FC100 is easy to control and comes with a large blue back-lit display. The FC100 will adjust cooling and heating system to accurately control a comfortable room temperature.

2. Characteristics

Ergonomic design	Large Blue Backlit Display
Intuitive Controls	Ease of installation
Energy Saving	

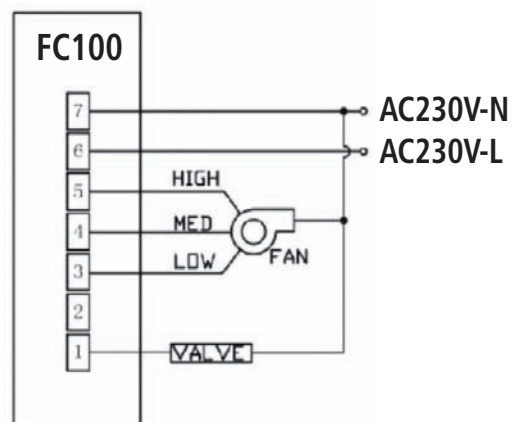
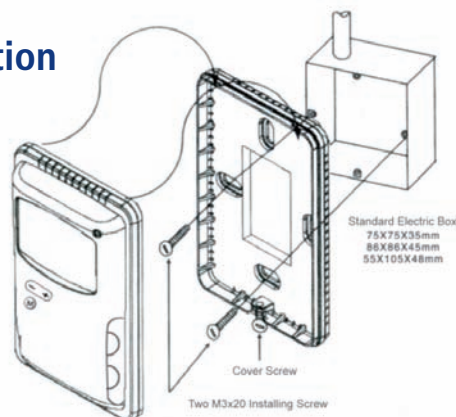
3. Technical Data

Power Consumption: <1.5W	Range:10 °C~30 °C	Load Current:<1A.
Accuracy:±1°C	Output Power: <200W	
Size:130mmx83mmx41mm	Voltage: 230VAC, 50Hz	

4. Temperature Offset

The FC100's calibration is factory set, however the FC100 allows you to adjust this temperature calibration. If the calibration fails in a standard thermostat the thermostat needs to be replaced. The FC100 allows you to adjust the calibration setting, this not only prolongs the life of the thermostat but improves accuracy and energy efficiency. If the calibration of the FC100 requires adjustment to match the actual room temperature, press the + and - key together, then select the number of degrees (-9 to 9) centigrade required so that the FC100 Temperature matches the actual room temperature. For example, if your actual room temperature is 24 °C and the FC100 is showing 22 °C then select 2. Press M to confirm the setting and to return to home display.

5. Installation



6. Operation

M : Select Cool/Heat/Fan mode.

+ : Temperature up.

- : Temperature down.

I : Turn ON the thermostat.

○ : Turn OFF the thermostat.

⊗ : Low fan speed.

⊘ : Medium fan speed.

⊙ : High fan speed.

7. Warranty

We offer a warranty of 2 years, from the date of installation.



www.salus-tech.com