

Operating and installation instructions

Model AT 10

Article no. 114 100

Features

- Pipe surface mounted thermostat with visible external scale
- Simple attachment with elastic tensioning band
- Simple operation with large hand dial
- Can be locked to set temperature
- Setting range from 30°C - 90°C
- Simple electrical connection with the generously sized cable clamps

Mounting

Press the pipe surface mounted thermostat firmly against the heating pipe and secure it with the elastic tensioning band provided, so that the thermostat is directly abutting the pipe. (Any isolation is to be removed at the installation site before securing the sensor.) Excess tensioning band can be trimmed off.

Electrical connection

Open the thermostat by removing the dial (1) and loosening the large plastic screw (2). Remove the housing cover. The 4 cable clamps which are now visible are to be wired as follows:

- Clamps C and 1 = opener
The thermostat opens under increasing temperature and closes in the case of sinking temperature. (E.g. function = "heating")
- Clamps C and 2 = opener
The thermostat closes under increasing temperature and opens in the case of sinking temperature. (E.g. function = "cooling")
- Clamp \perp = Earth

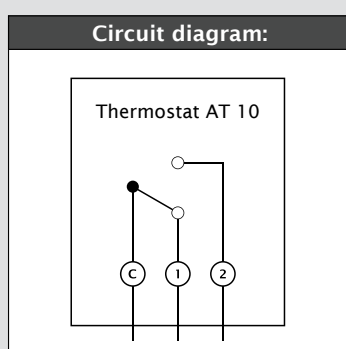
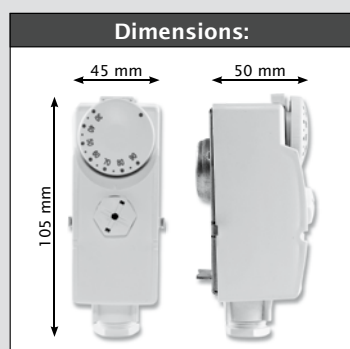
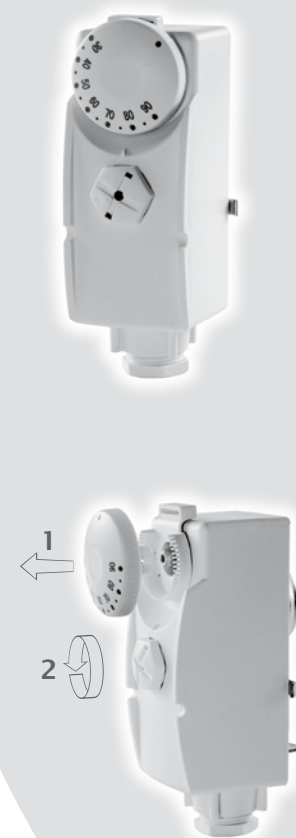
The installation may only be carried out by professional installers in accordance with the connection plan. Furthermore, the installation must also comply with the current VDE regulations and the specifications of your energy supplier. The installation is always to be carried out with the power supply disconnected, the security specifications are to be observed. The maximum switching current indicated in the technical data must be observed!

We accept no liability for any form of misuse.

Operation

The thermostat has a turnable hand dial with a temperature scale. To turn, the dial must be pulled outwards ca. 5 mm from the housing to release it from the underlying locking mechanism (cog-teeth). Now turn the dial until your desired temperature aligns with the marking on the housing.

To lock the setting to the temperature chosen, press the dial downwards on the housing until the dial engages into the locking system. If you wish to readjust the temperature at a later point in time, release the dial from the locking mechanism (as described above) and turn it according to the desired temperature. Then press the dial back in.



Technical data:

Operating voltage:	230V AC 50Hz
Contact:	1 two-way contact
Switching current:	15 (2) A
Setting range:	30°C - 90°C
Sensor element:	Liquid sensor
Protection rating:	IP 20
CE approved	

